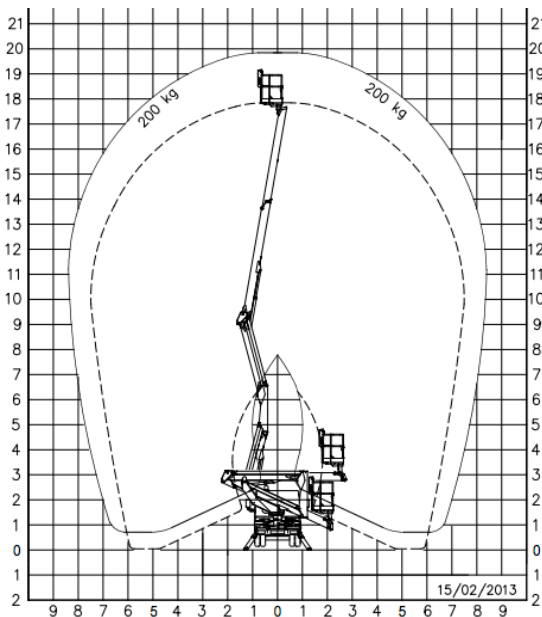


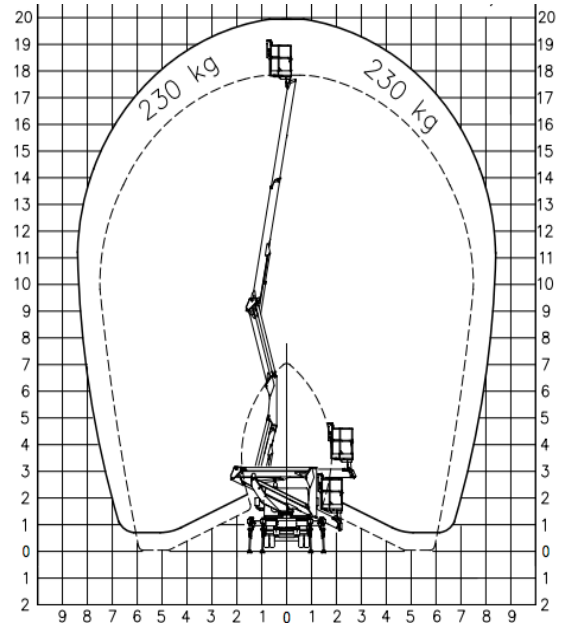
EWP EQUIPMENT 20M - 24M

MODEL	MAX WORKING HEIGHT	MAX PLATFORM HEIGHT	G.V.M	TRAVEL HEIGHT	TRAVEL LENGTH	TRAVEL WIDTH	MAX HORIZONTAL REACH	MAX BASKET CAPACITY	DRIVE TYPE
P200A	19.8M	17.8M	3,320KG	2.89M	5.39M	2.1M	8.4M	200KG	4 X 2 & 4 X 4
P200AXE	19.8M	17.8M	3,320KG	2.89M	5.39M	2.1M	8.4M	230KG	4 X 2
P210BK	21M	19M	4,750KG	3.0M	7.90M	2.26M	16.6M	230KG	4 X 2
P240A	23.2M	21.2M	3,350KG	2.89M	5.39m	2.1m	10.7m	230kg	4 X 2 & 4 X 4

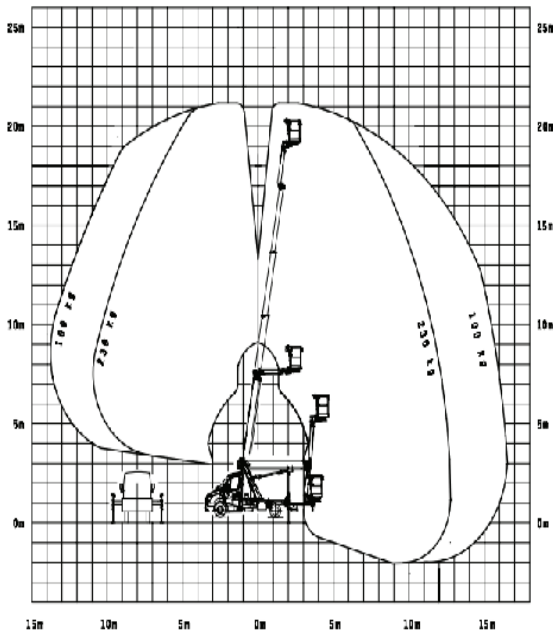
P 200 A



P 200 AXE



P 210 BK



P 240 A

