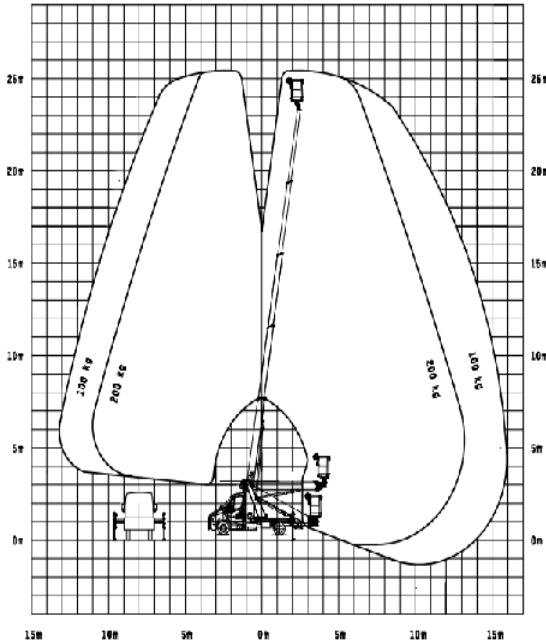


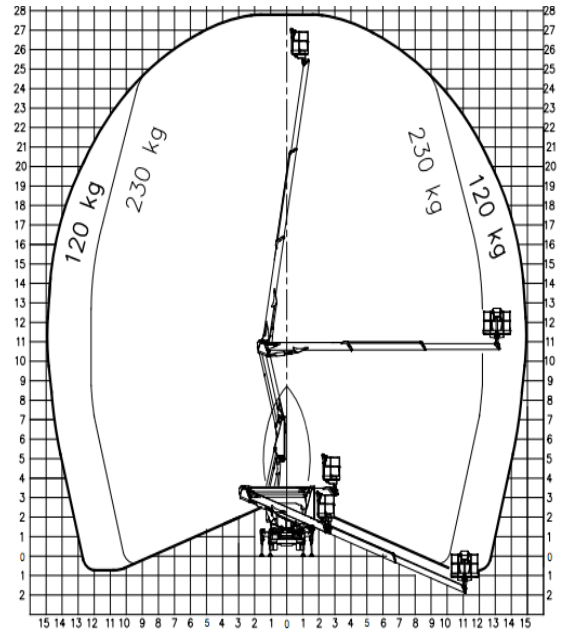
# EWP EQUIPMENT 26M - 32M

MODEL	MAX WORKING HEIGHT	MAX PLATFORM HEIGHT	G.V.M	TRAVEL HEIGHT	TRAVEL LENGTH	TRAVEL WIDTH	MAX HORIZONTAL REACH	MAX BASKET CAPACITY	DRIVE TYPE
P260B	26M	24M	4,600KG	3.3M	7.35m	2.15m	14.4m	200KG	4 X 2
P280AXE	28M	26M	10,000KG	3.8M	7.5M	2.5M	15M	300KG	4 X 4
P300KS	30M	28M	13,000KG	3.9M	8.45M	2.5M	20.5M	350KG	4 X 4
WT320	32M	30M	16,380KG	3.89M	8.54M	2.5M	25.5M	600KG	4 X 4

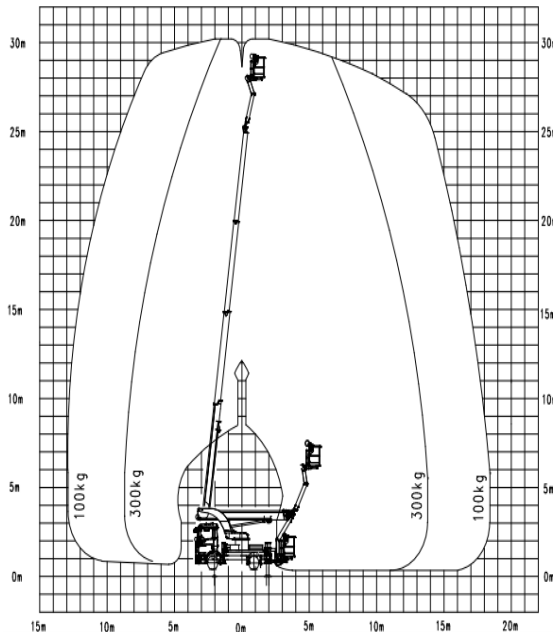
P 260 B



P 280 AXE



P 300 KS



WT 320

